

4

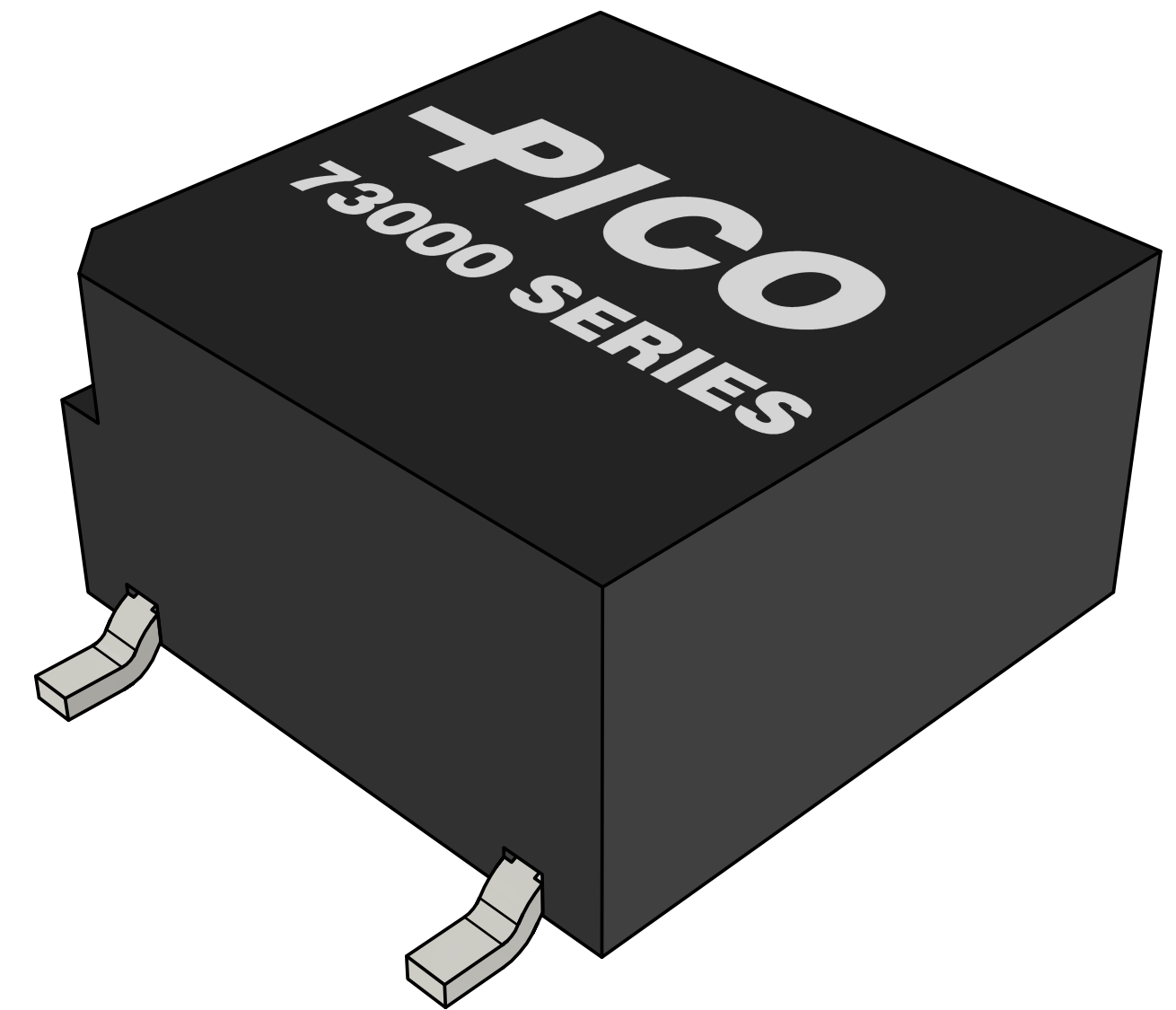
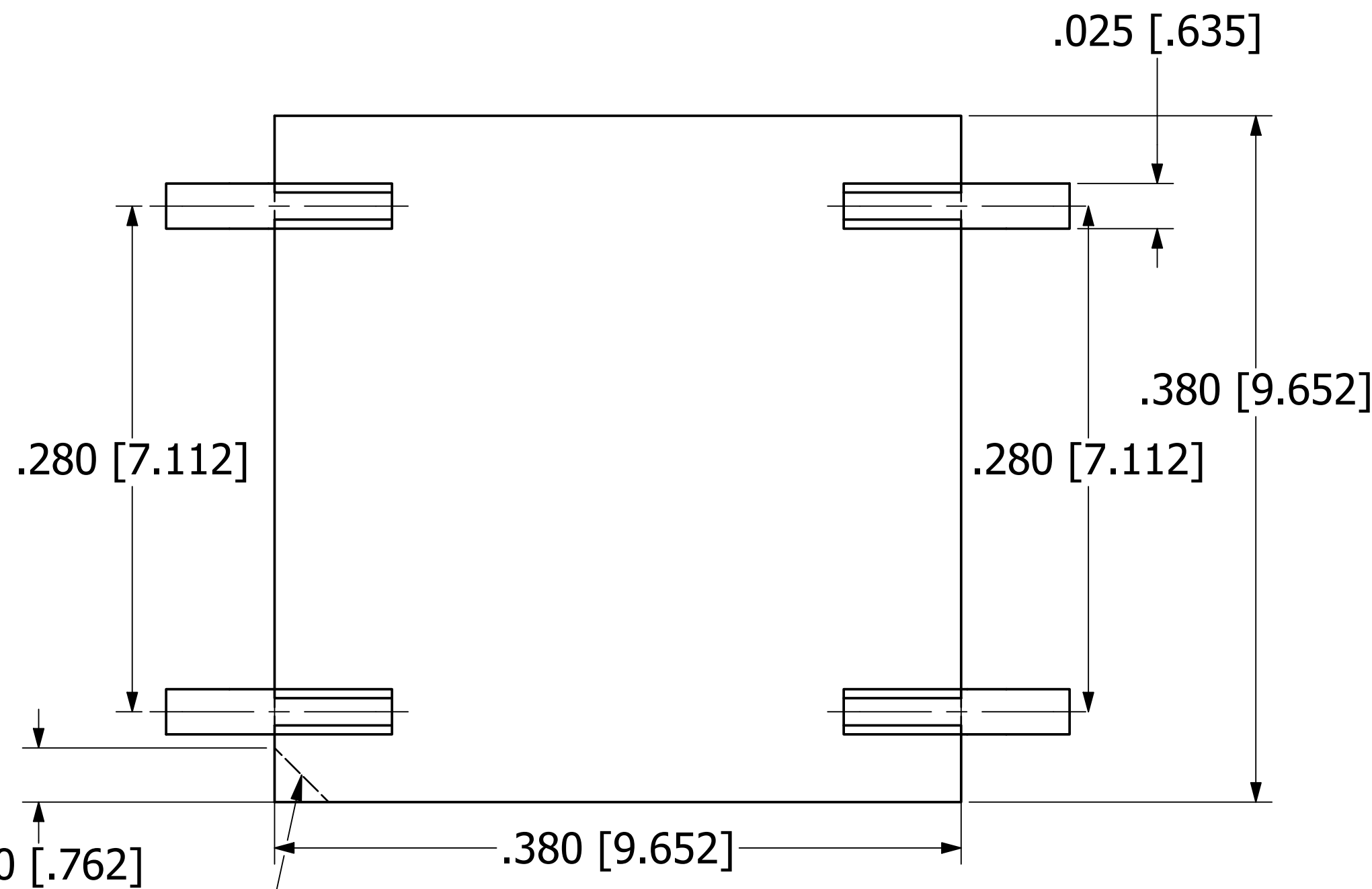
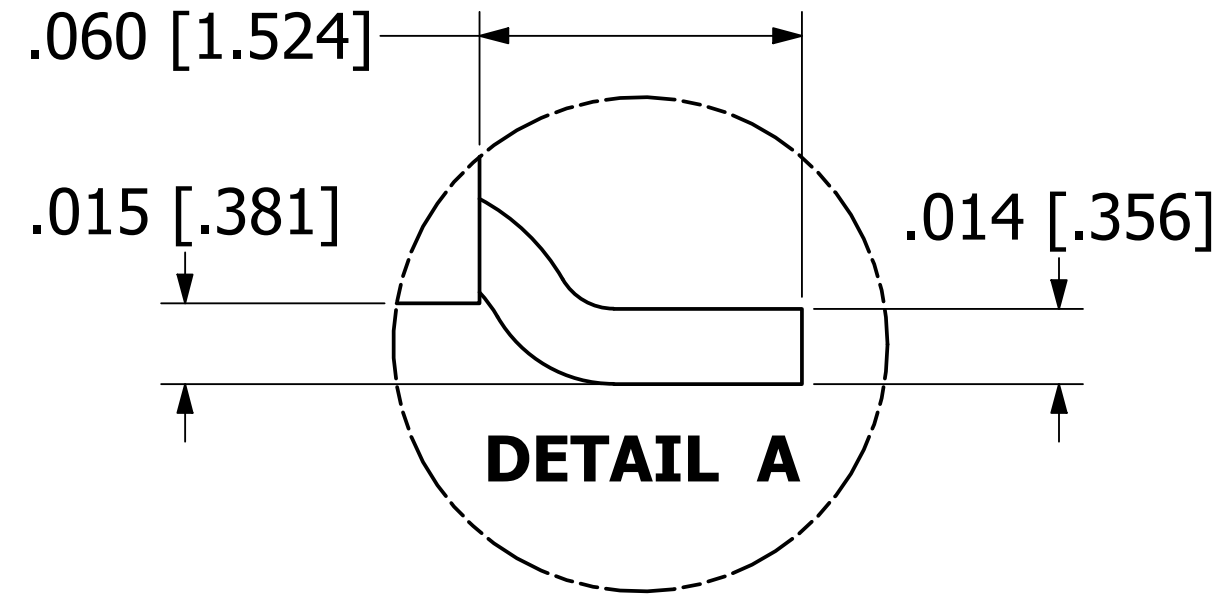
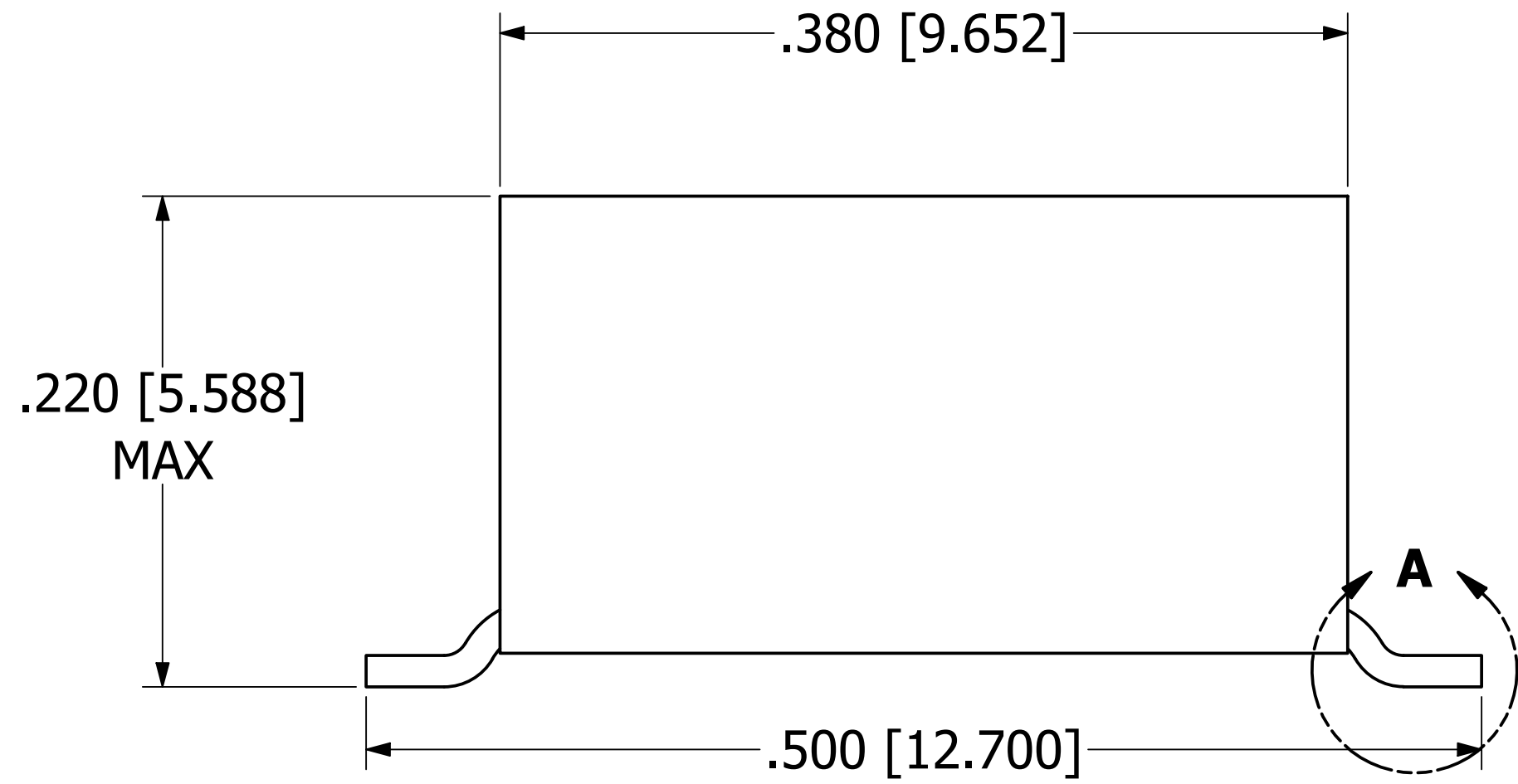
3

2

1

NOTES

- a. ALL DIMENSIONS ARE IN INCHES, [] = MM
- b. TERMINALS ARE CLOCKWISE FROM PIN #1
- c. PINS 3 AND 4 ARE DUMMY PINS



BOTTOM VIEW

PIN #1 INDICATOR

PROPRIETARY AND CONFIDENTIAL

THE INFORMATION CONTAINED IN THIS DRAWING IS THE SOLE PROPERTY OF PICO ELECTRONICS INC. ANY REPRODUCTION IN PART OR AS A WHOLE WITHOUT THE WRITTEN PERMISSION OF PICO ELECTRONICS INC. IS PROHIBITED

DRAWN	P.PALUCH	PICO	143 Sparks Ave	
CHECKED	H. VIDAURRE		Village of Pelham, NY 10803	
QA		Electronics		
MFG		73000 SERIES - SIZE 00		
APPROVED				
REVISION DATE	06/06/2023	SIZE	DWG NO	REV
		C		1
		SCALE	NTS	www.picoelectronics.com

4

3

4

2

1

D

D

C

C

B

B

B

B

A

A